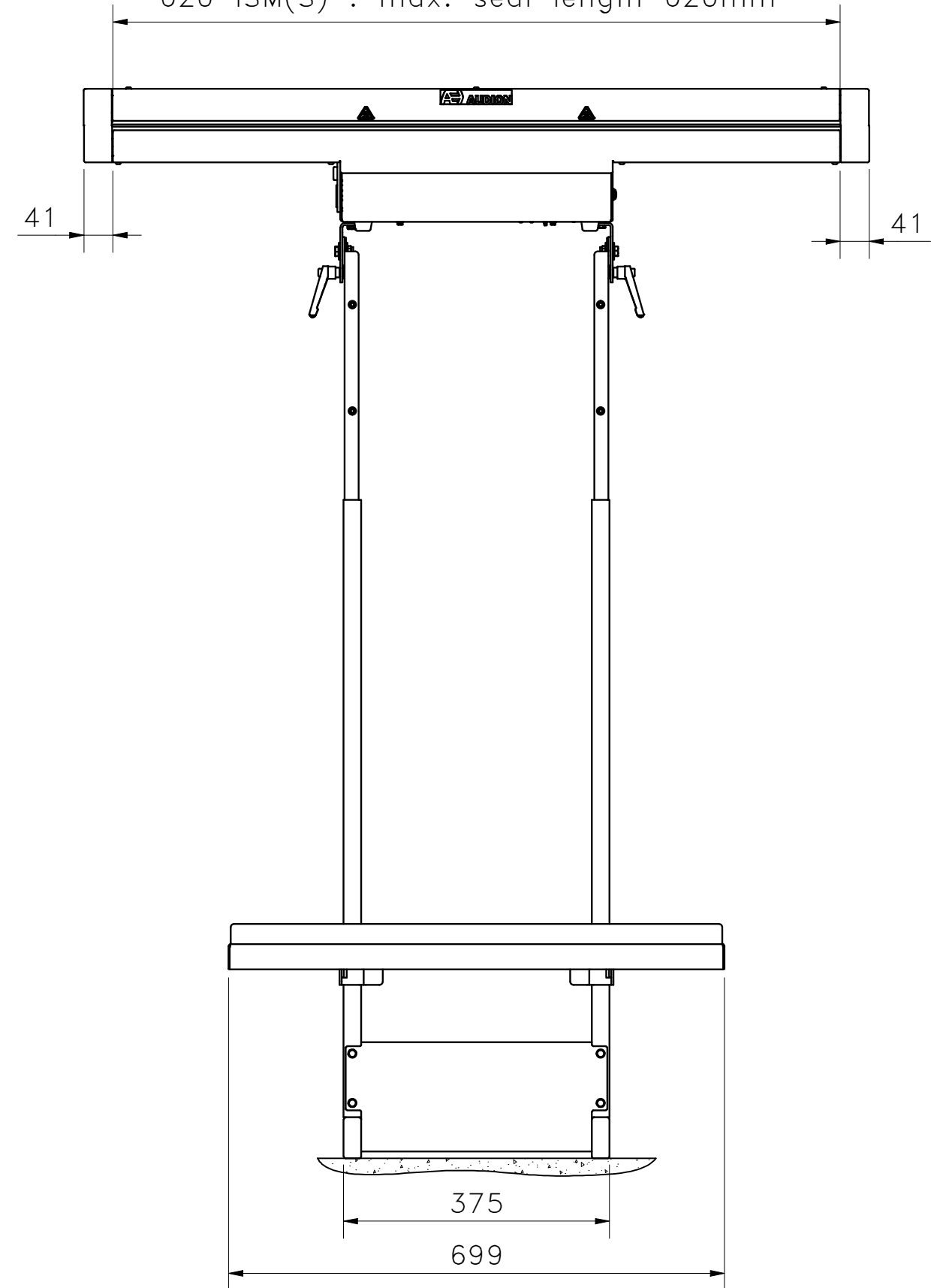


1020 ISM(S): max. seal length 1020mm
 820 ISM(S) : max. seal length 820mm
 620 ISM(S) : max. seal length 620mm



remarks:	date: 12-11-2021	scale: 1 : 8	weight: N/A	revision:	drawn by:	date:
page: 1#1	sheet: A3	check:	tolerance: ISO 2768/1101	01	CS	230317
projection: 	drawn by: mq	material:				
drawing name: AUDION MEASUREMENT SP ISMS+BSP ISMS+RLSP ISMS 620			drawing number: 545-130803			